

Bosch Compress 3000

Domestic Hot Water Heat Pump



UPDATED MODEL

- ▶ Increased rebates now available
- ▶ Efficient heating down to -7°C

Energy efficient water heating anywhere in New Zealand

The Bosch Compress 3000 is an Air to Water heat pump which was developed in Europe converting the same reliable technology used in refrigerators to extract heat from the air and transfer it into the water. This means that the heat pump reduces energy use by up to 65% compared to a conventional electric storage hot water system. Operating down to -7°C the Compress 3000 provides you with energy efficient hot water even when it is freezing outside.

Engineered and manufactured in Europe, the Bosch Compress 3000 includes 'smart controls', which allow the user to maximise their savings while best suiting their hot water needs. They can also be used to optimise energy usage in combination with a PV solar energy generation system.

FEATURES AND BENEFITS

- ▶ Highly efficient heat pump – reduces energy use by up to 65%
- ▶ Smart Controls to take advantage of
 - ▶ Cheaper overnight power prices
 - ▶ PV solar energy generation systems
- ▶ Noise reduction mode
- ▶ Designed for easy and low-cost install and servicing
- ▶ The heat pump operates from -7°C to 40°C, delivering energy efficient hot water even in colder climates

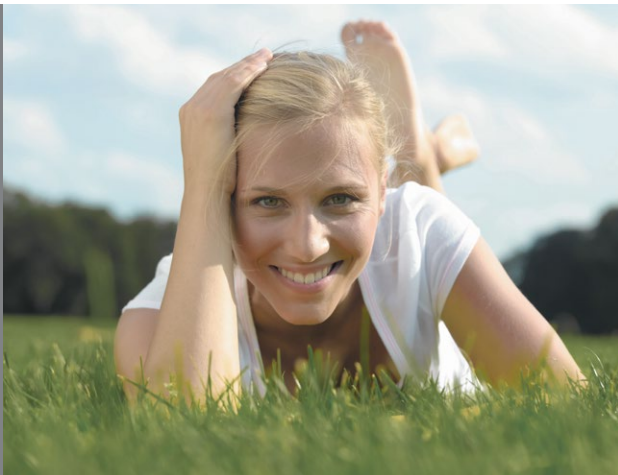
Please contact Bosch on 0800 54 33 52 or visit www.bosch-climate.co.nz for more information.



BOSCH

Hot Water & Heating

Bosch Compress 3000

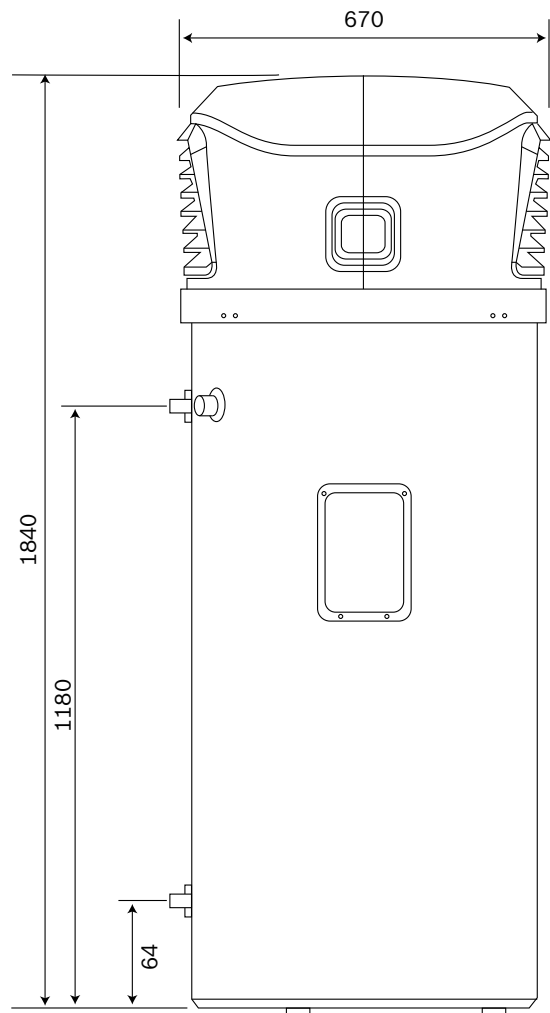


- ▶ Reduces energy use by up to 65%
- ▶ Smart controls for user flexibility; demand & running cost optimisation
- ▶ Suitable for 3–4 people

Specifications

	Model
Bosch Product Code	7736501960
Heat Pump operating temperatures °C	-7°C / +40°C
Total operating temperatures °C	-10°C / +50°C
Outlet Water temperature °C	60°C - 65°C
Storage capacity (L)	270
Max Water Relief Pressure (kPa)	1000
Max Water Supply Pressure (kPa)	800
COP*	3.3
Heat Pump Module	
Heat Pump Max input (kW)	0.6
Max Current (A)	2.6
Heat Pump heating capacity (kW)	1.5
Back Up Electric Element	
Heat input (kW)	1.65
Total Max current (A)	7.2
Maximum Combined Total	
Heating capacity (kW)	3.15
Maximum input	2.25
Maximum Current @ 230V (A)	9.8
Net empty weight (kg)	130
Refrigeration type/ Mass (kg)	R134a/0.375
Domestic Warranty	
Parts & Labour	2 Years
Tank (Part Only)	5 Years

* COP as measured under the following conditions: air 15°C; RH 70%; water 15°C-60°C.



Note: Heat pumps use the ambient temperature in surrounding air to heat water in the tank. This means as the air temperature around the tank decreases, the time taken to heat the full tank increases. Customers in colder climate and frost prone areas should consider this when deciding which type of Bosch system is best for their circumstances. For detailed information on which Bosch hot water system best suits your needs please call Bosch.

Please contact us on 0800 54 33 52 or visit www.bosch-climate.co.nz for more information.



BOSCH

Hot Water & Heating